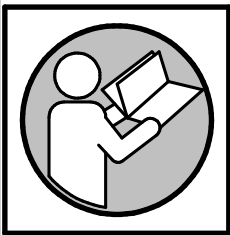
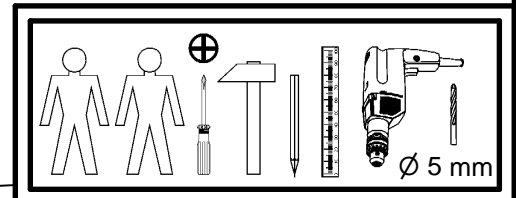


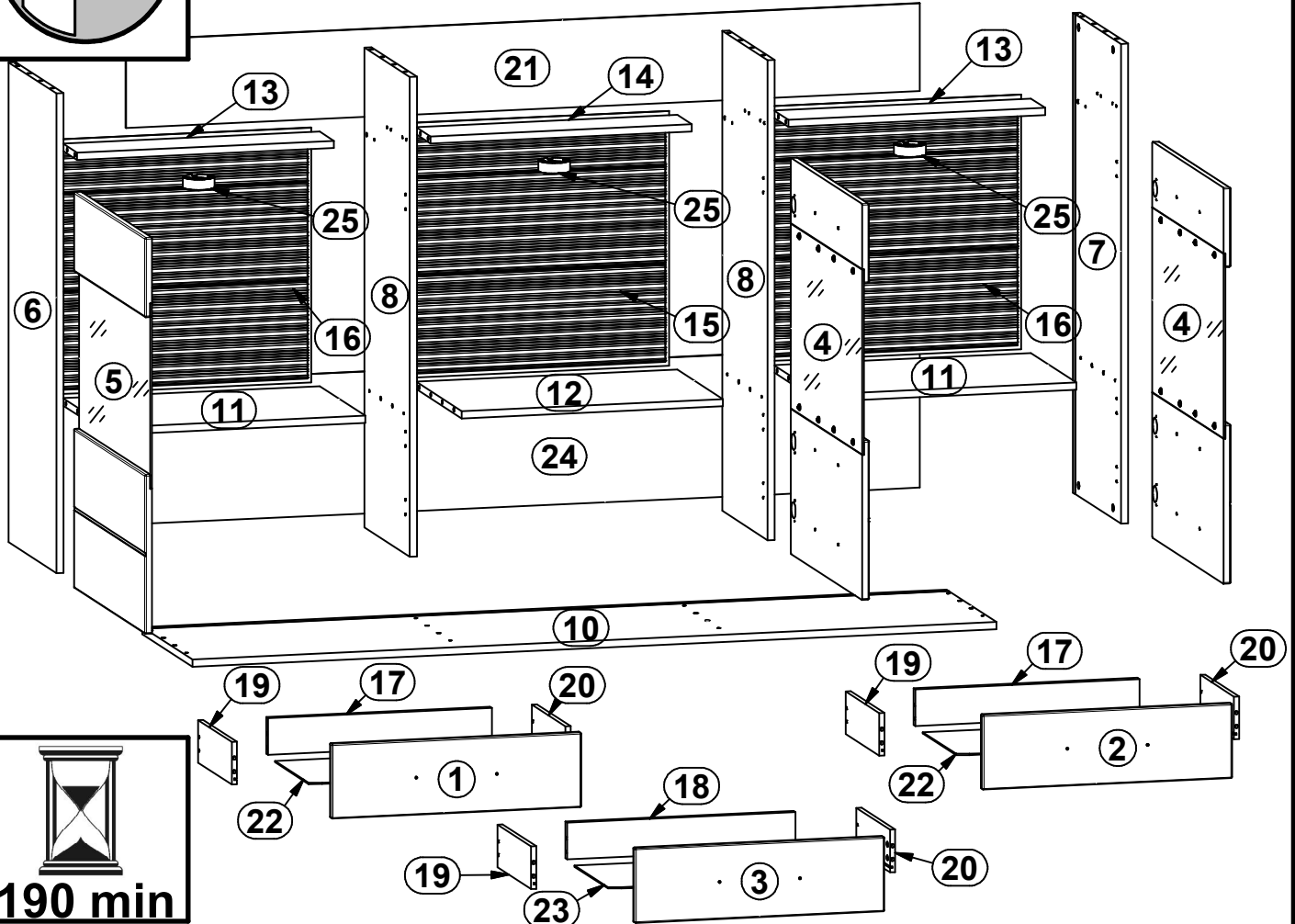
# 10 30 WW 20

# S117-KOM3W3S/14/18-B

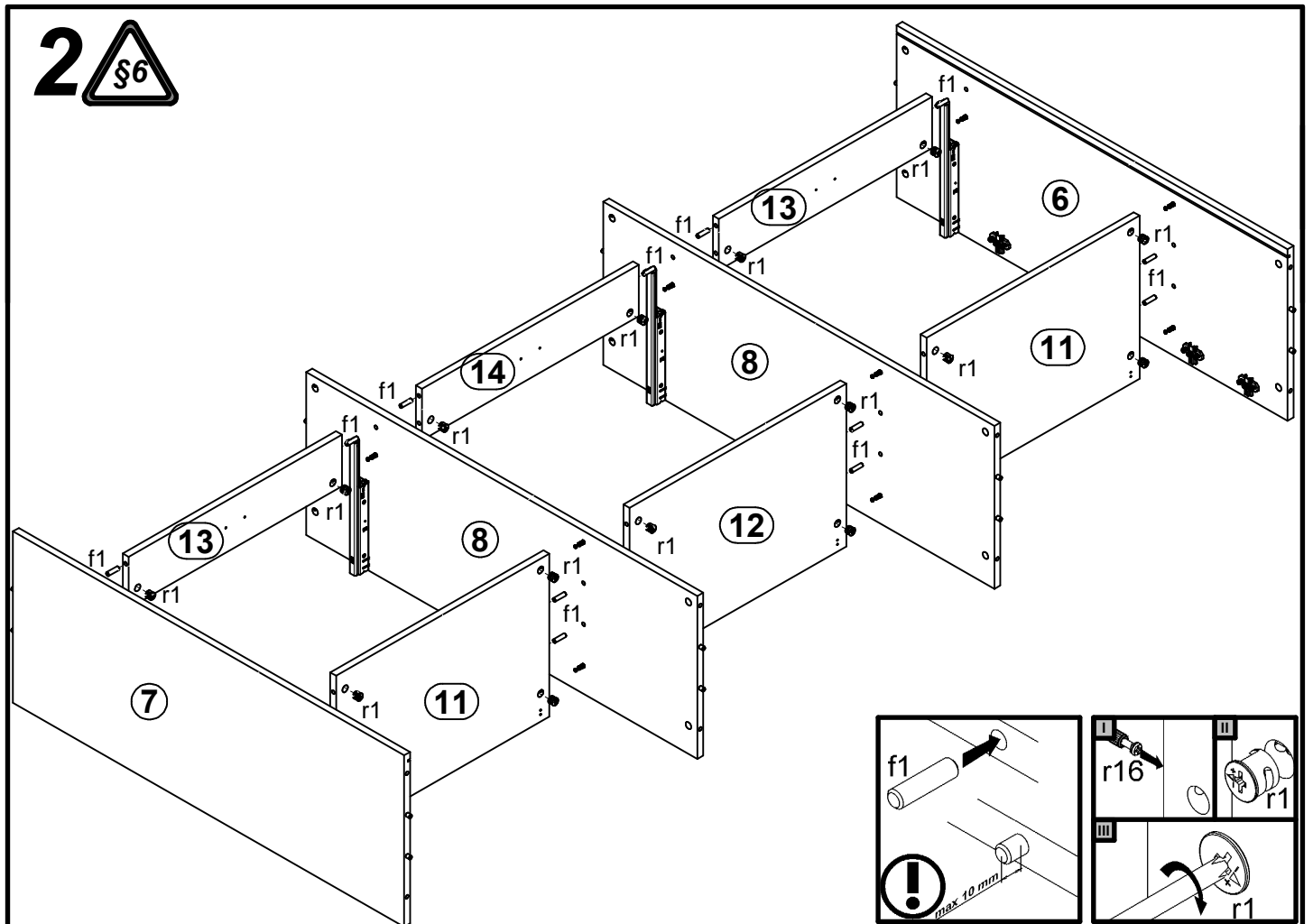
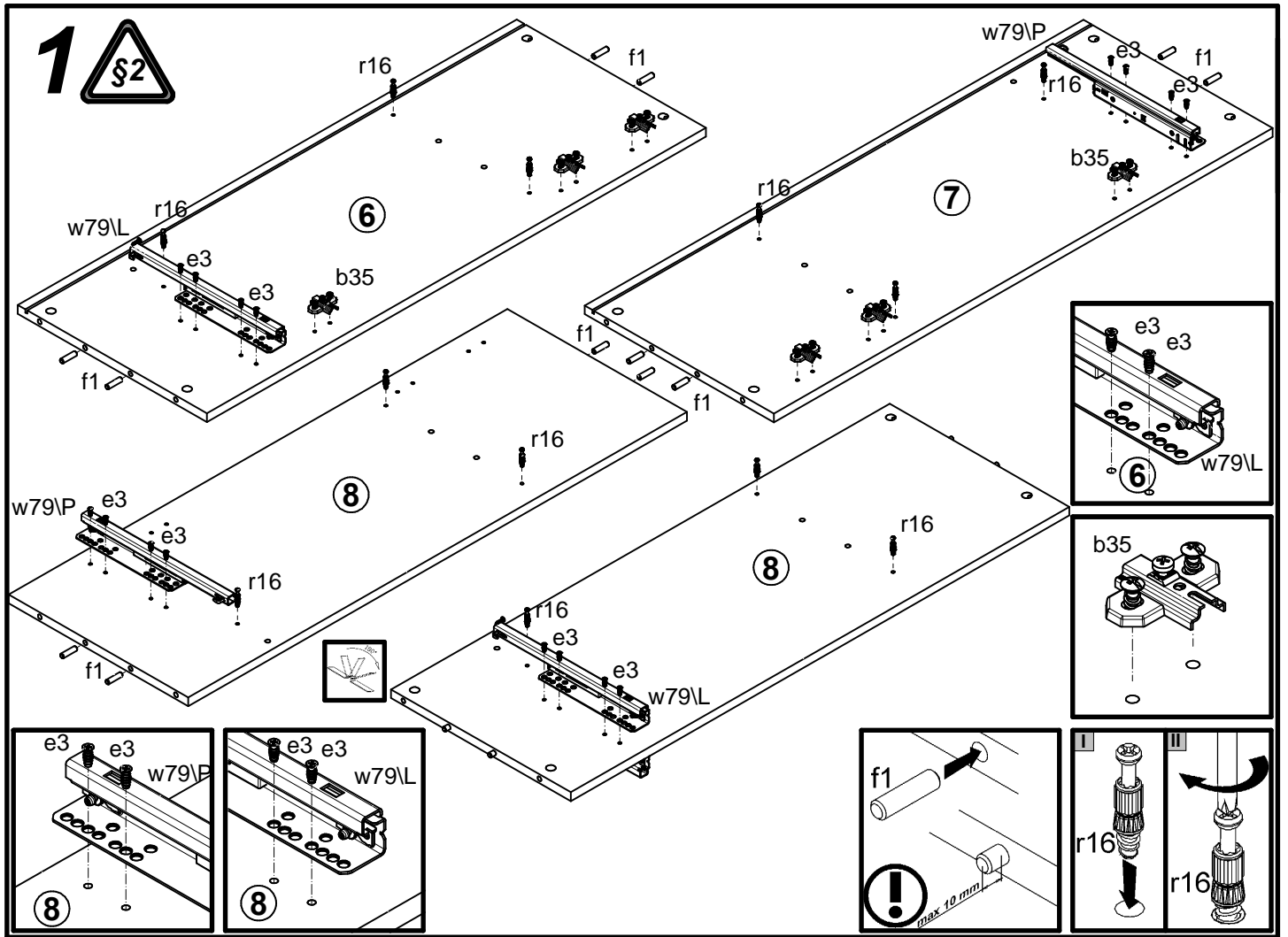
A	B	C	D	A	B	C	D		
1	S117-006	596	175	4/4	14	S117-404	585	120	3/4
2	S117-007	596	175	4/4	15	S117-453	601	560	4/4
3	S117-008	596	175	4/4	16	S117-454	588	560	4/4
4	S117-012A	871	596	4/4	17	S117-506	535	86	3/4
5	S117-013A	871	596	4/4	18	S117-509	545	86	3/4
6	S117-115A	1055	400	2/4	19	S117-510	300	100	3/4
7	S117-116A	1055	400	2/4	20	S117-511	300	100	3/4
8	S117-117A	1055	380	2/4	21	S117-916	1777	193	1/4
9	S117-212A	1800	418	1/4	22	S117-917	545	306	3/4
10	S117-213A	1800	418	1/4	23	S117-918	555	306	3/4
11	S117-308A	575	380	3/4	24	S117-919	1777	312	1/4
12	S117-309A	585	380	3/4	25	qb29\3			2/4
13	S117-403	575	120	3/4					



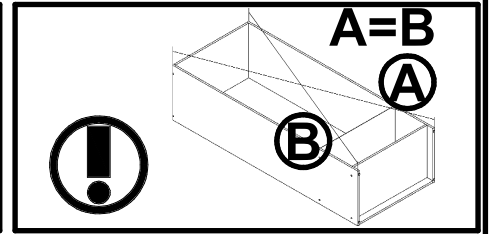
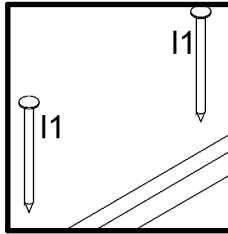
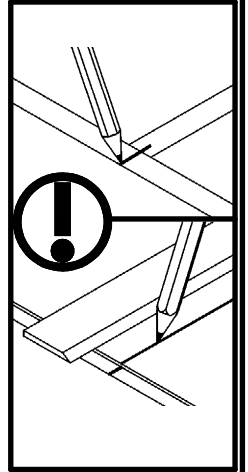
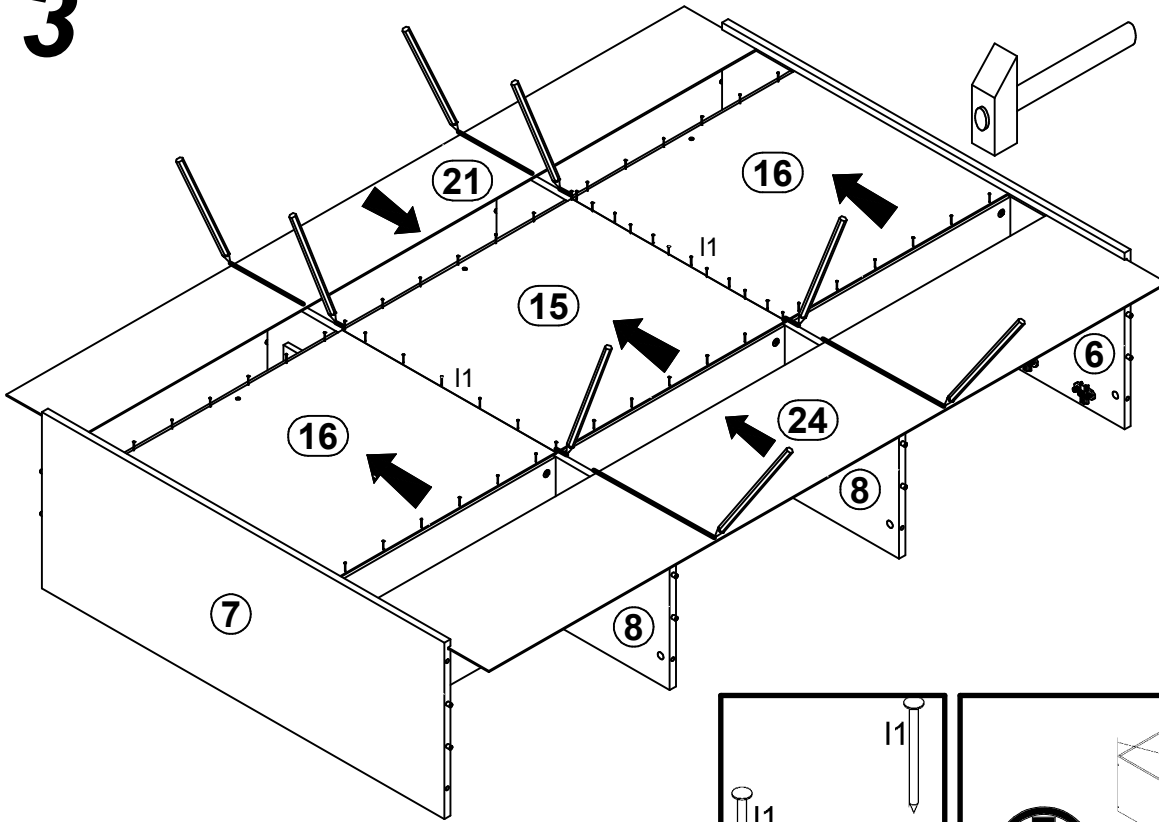
9



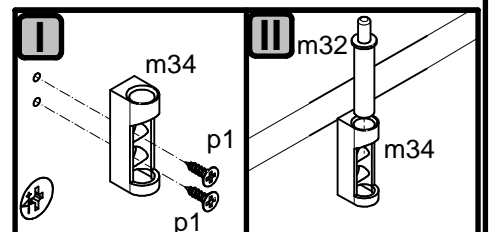
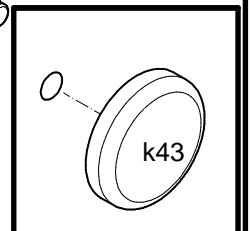
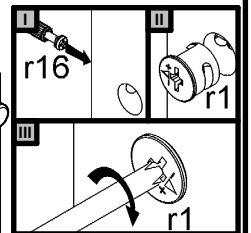
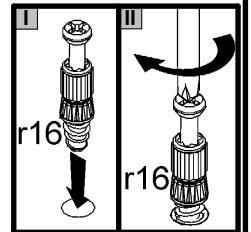
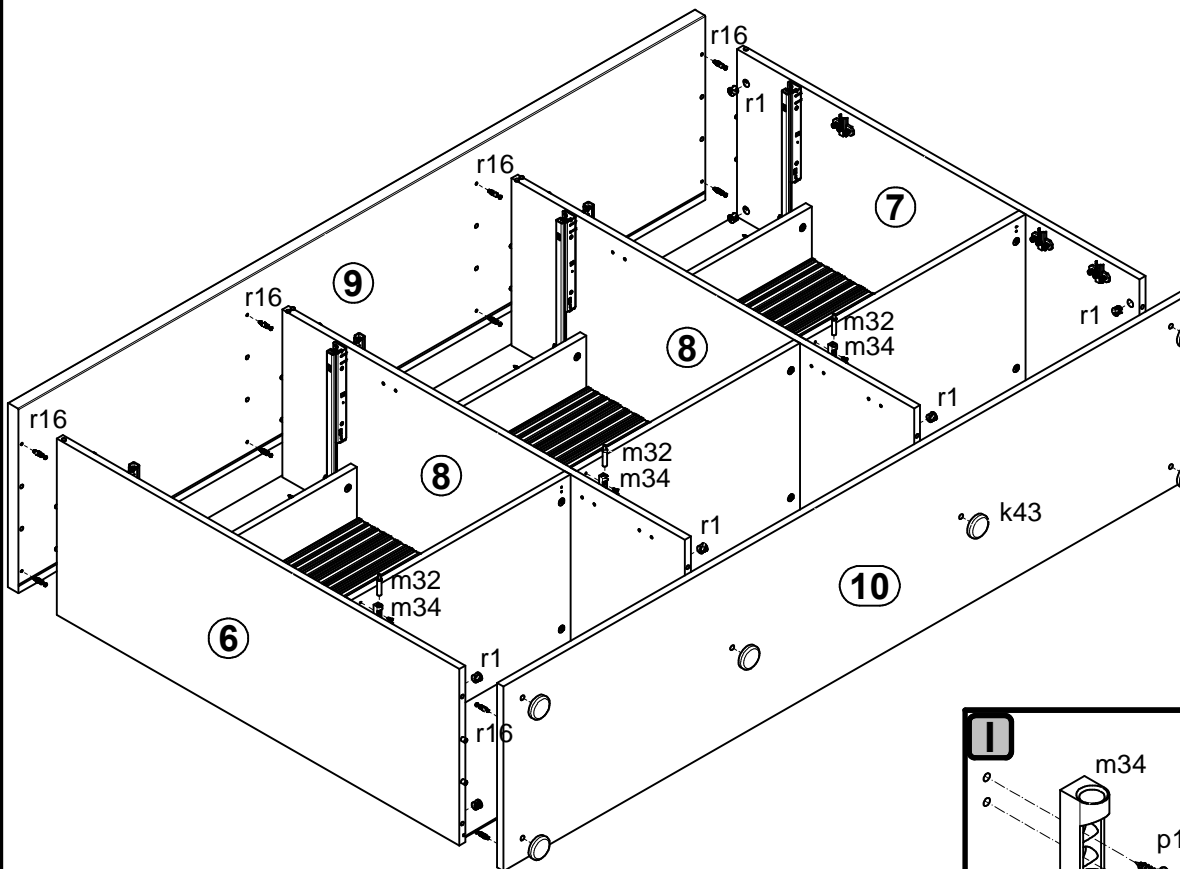
6x a44	3x a68	9x b35	6x c306	24x e3	34x f1	12x f25	12x j8	6x k43
150x l1	14x l2	3x m32	3x m34	22x n108	6x o21	3x o48\1	3x o48\2	6x p1
3x p25	3x p35	18x p51	6x p54	22x p55	34x r1	12x r15	46x r16	20x s2
3x t25	3x w79\P	3x w79\L	1x n26\1	10x p38				



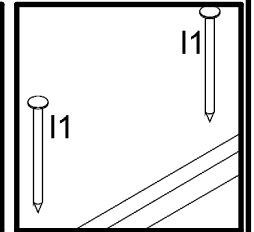
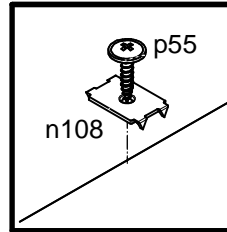
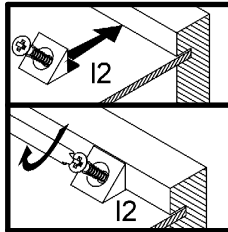
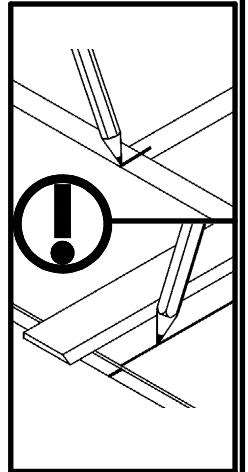
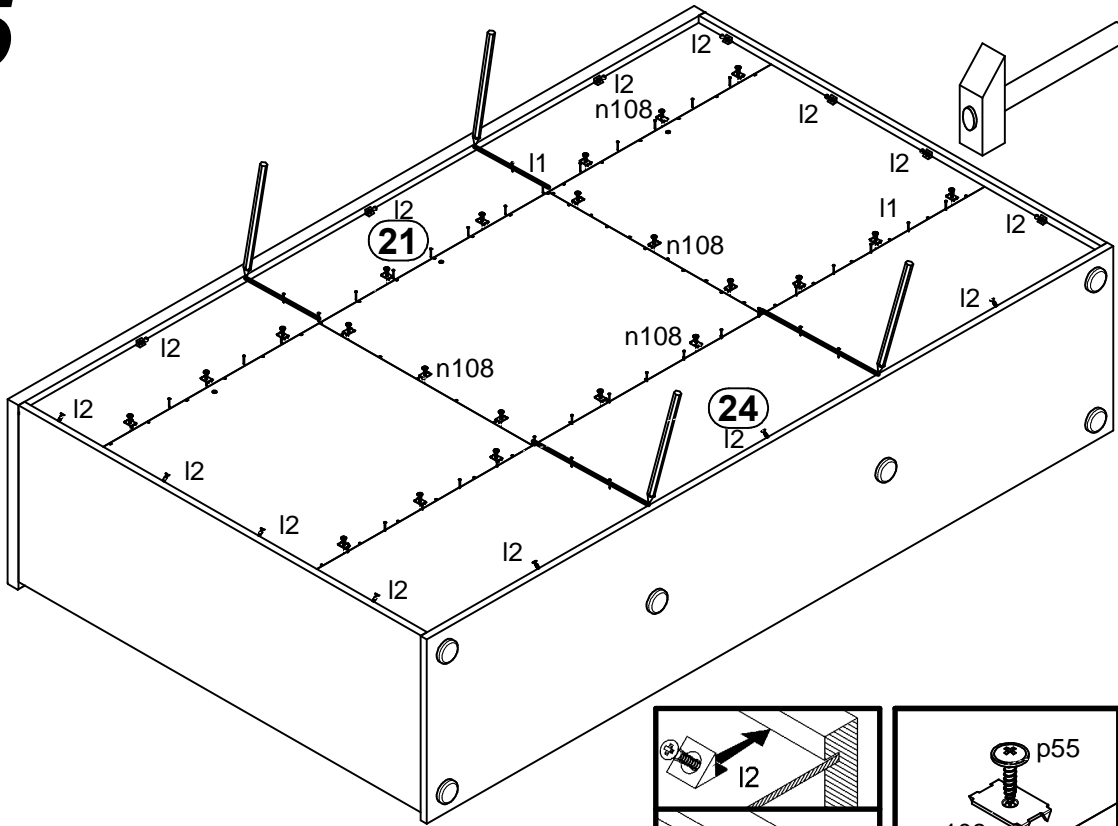
# 3



# 4



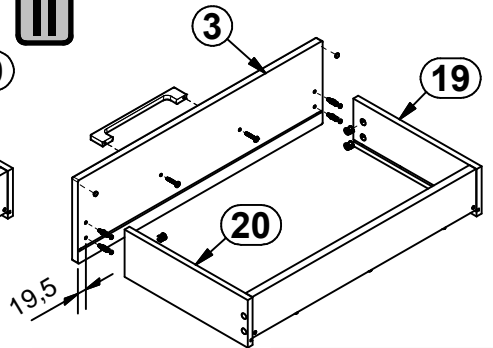
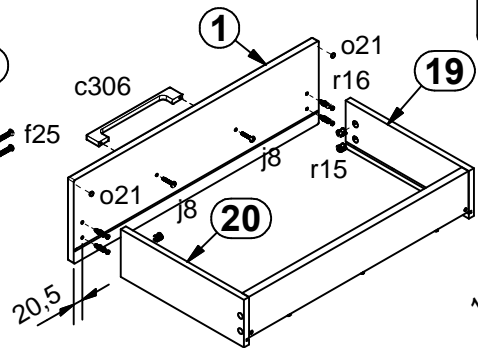
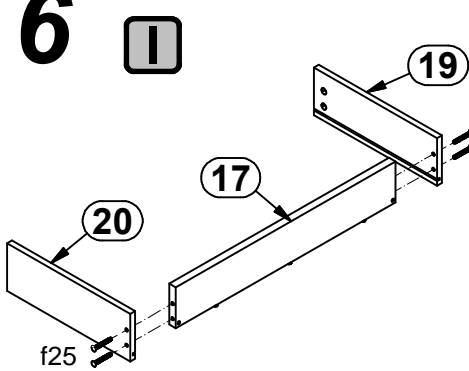
# 5



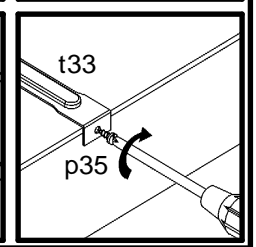
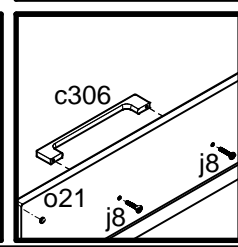
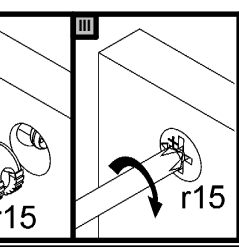
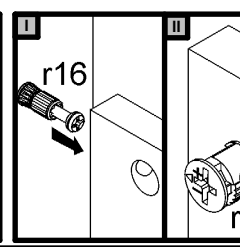
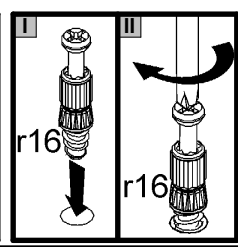
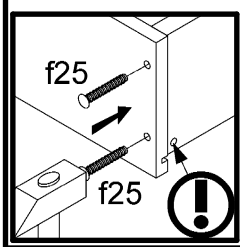
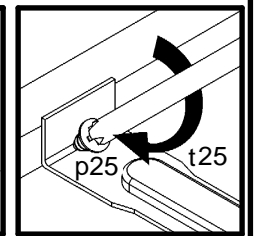
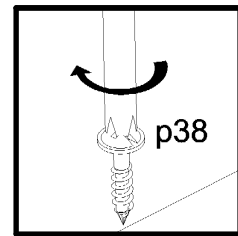
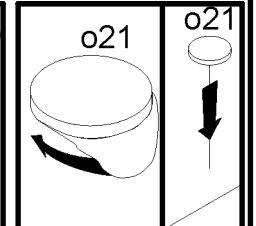
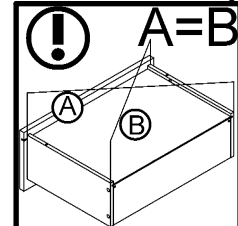
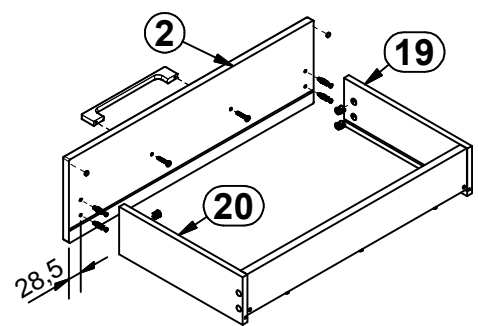
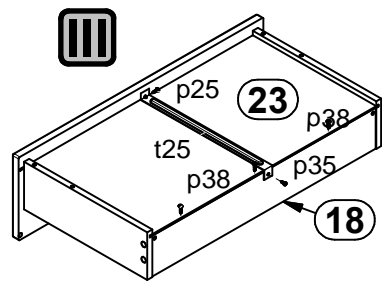
# 6

I

II



III



# 7

